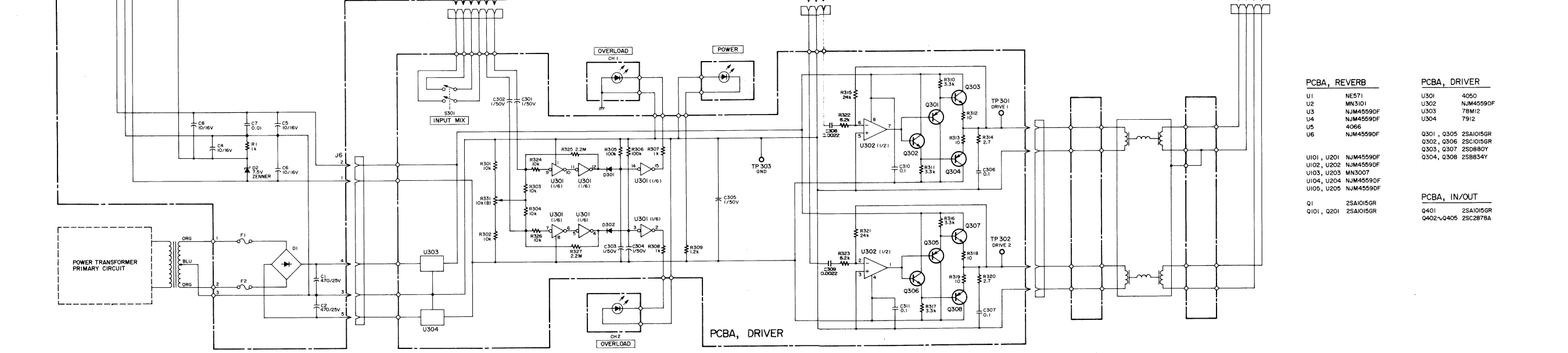
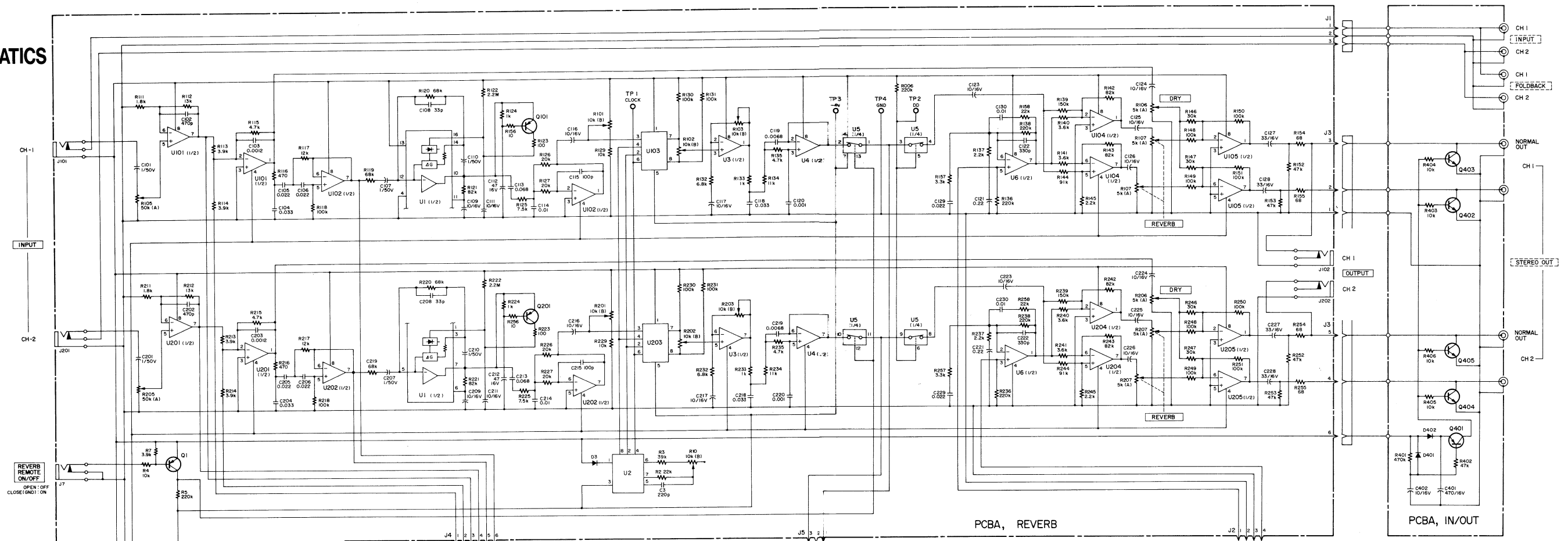
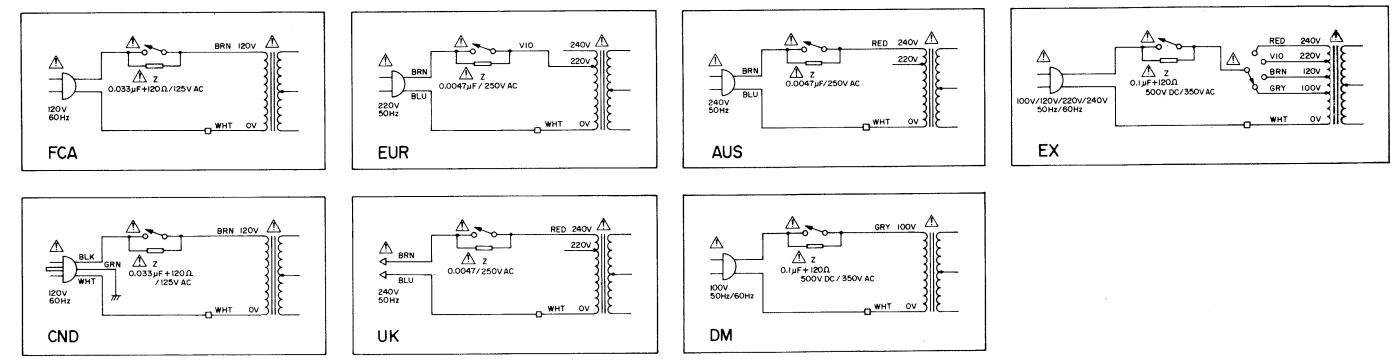


7. SCHEMATICS



PCBA, REVERB		PCBA, DRIVER	
U1	NE571	U301	4050
U2	MM3101	U302	NJM4559DF
U3	NJM4559DF	U303	78M12
U4	NJM4559DF	U304	7912
U5	4066	Q301, Q305	2SA1015GR
U6	NJM4559DF	Q302, Q306	2SC1015GR
U101, U201	NJM4559DF	Q303, Q307	2SD880Y
U102, U202	NJM4559DF	Q304, Q308	2SB834Y
U103, U203	MA3007		
U104, U204	NJM4559DF		
U105, U205	NJM4559DF		
		PCBA, IN/OUT	
Q1	2SA1015GR	Q401	2SA1015GR
Q101, Q201	2SA1015GR	Q402, Q405	2SC2878A



© 9-1982 FOSTEX CORP. 8298 0560 00 M-3180 REVERB UNIT